

Desview®

# T12S

## TELEPROMPTER

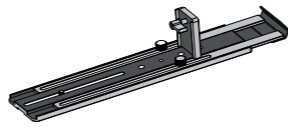
### 用户手册

User Manual

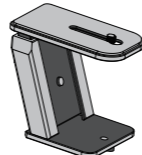
#### 包装清单



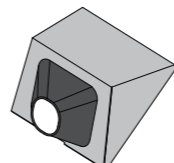
便携收纳手提箱



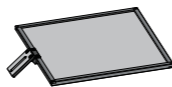
提词器主体



云台



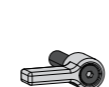
遮光罩



玻璃边框



遥控器



L型手拧螺丝



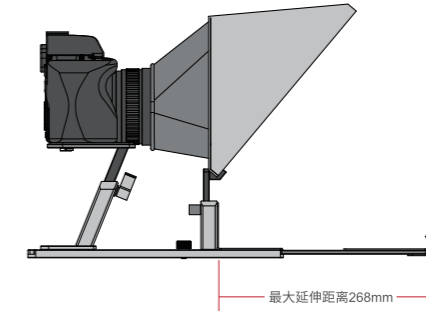
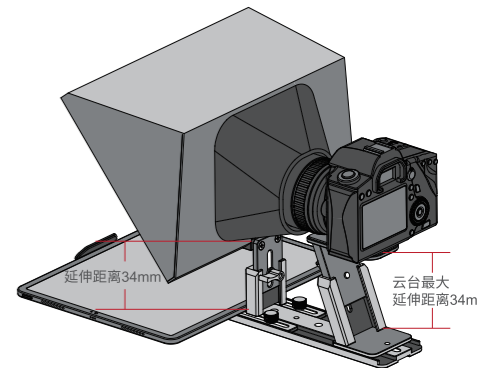
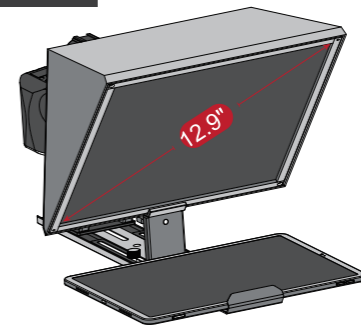
除尘布



说明书

1

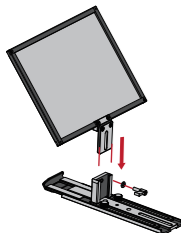
#### 产品参数



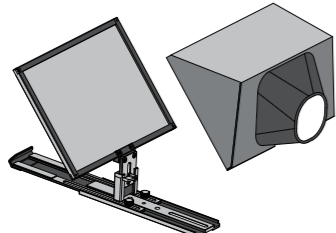
2

#### 安装步骤示意图

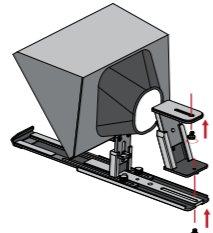
##### 1 安装玻璃边框



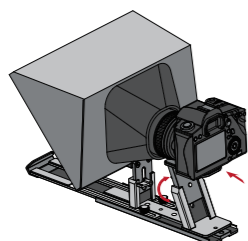
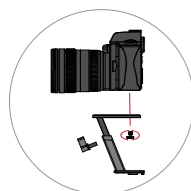
##### 2 沿魔术贴边缘安装遮光罩



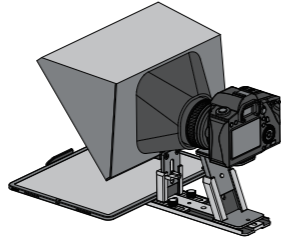
##### 3 安装云台



##### 4 组装云台与相机(小型摄像机), 安装于云台上, 并用遮光罩套好镜头

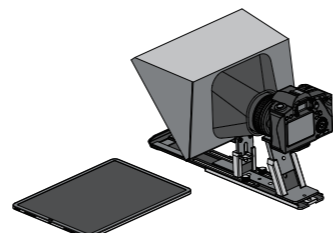


3

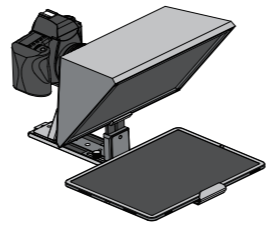


<相机横拍>  
注意:横拍升降云台需升至最顶

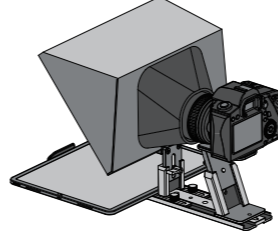
##### 5 安装提词器设备(手机或者平板电脑)



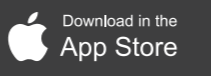
<平板提词>



<平板横版提词>



#### APP下载



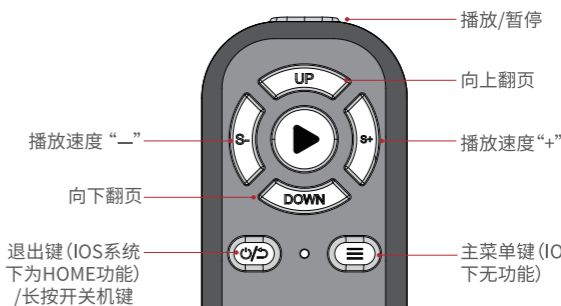
IOS用户端下载:  
请搜索“Desview”关键词即可下载



安卓用户端下载:  
扫描二维码并关注百视悦微信公众号, 回复关键词  
“安卓APP”即可获取下载链接

4

#### 遥控器



注意:因兼容问题,部分手机或平板遥控功能有些许差异

#### 蓝牙遥控器连接方法

1. 开机: 按住 **ON** 键, 直到指示灯亮起 (约2秒) 系统开机。(先装入7号电池)
2. 关机: 按住 **ON** 键, 直到指示灯熄灭 (约5秒) 系统关机

注意: 开机后, 不连接无线设备约5分钟后系统将自动关机; 如连接无线设备, 约12分钟没有任何操作, 系统也将自动关机。

3. 配对连接: 开机后LED灯闪烁, 自动进入无线配对模式, 查找到的设备名称 (Desview), 点击连接即可, 连接成功后LED灯间歇性闪烁。



5



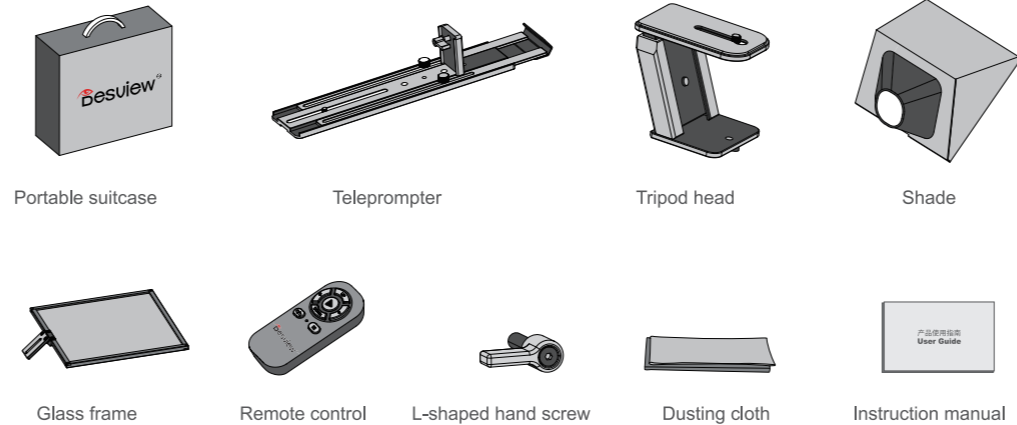
Desview®

# T12S

## TELEPROMPTER

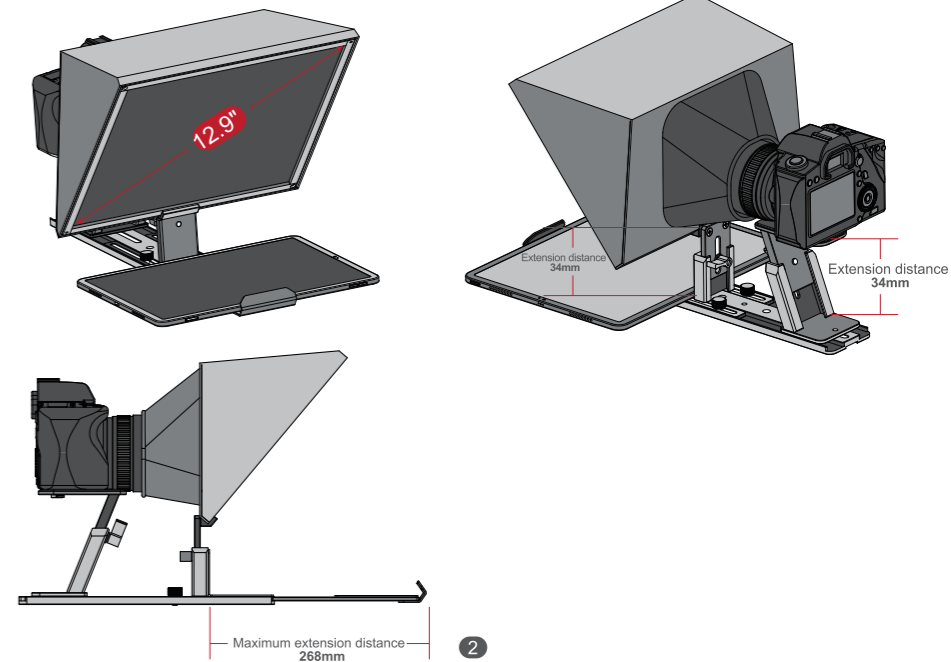
### User Manual

#### Packing List



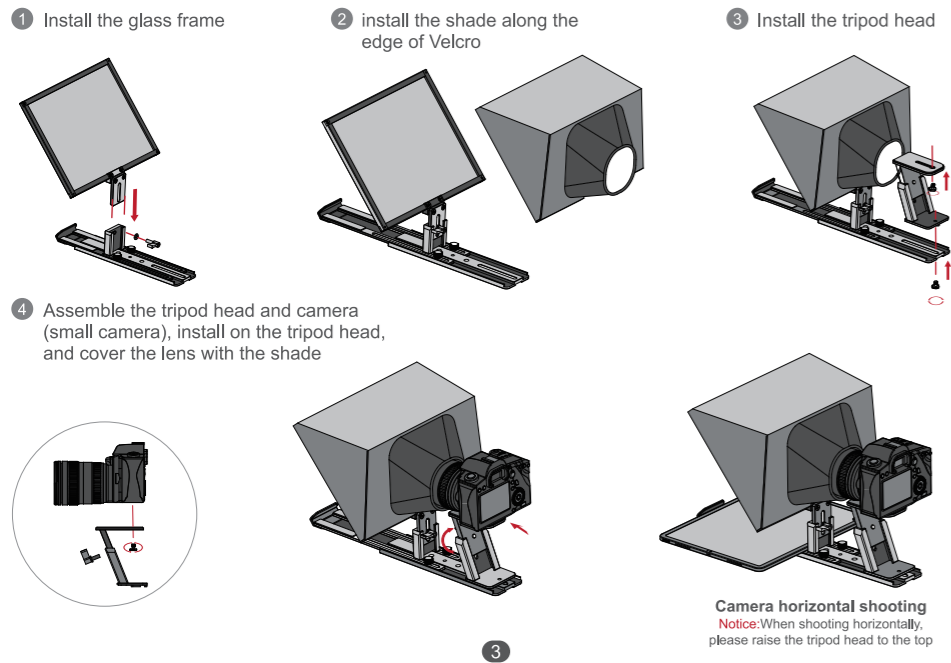
1

#### Product parameters



2

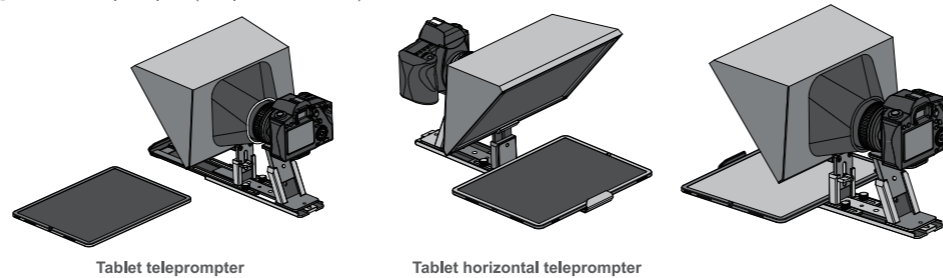
#### Installation steps diagram



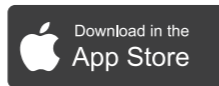
3

**Camera horizontal shooting**  
 Notice: When shooting horizontally, please raise the tripod head to the top

#### 5 Install teleprompter (cell phone or tablet)



#### APP Download



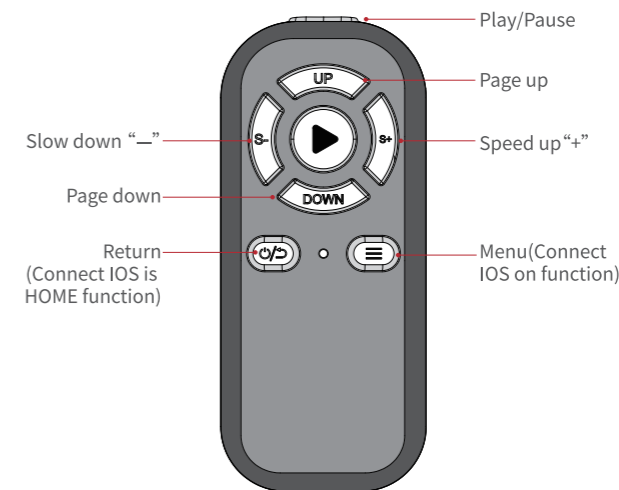
IOS User Download:  
 Search keywords "Desview" to download



Android User Download:  
 Search keywords "Desview" to download

4

#### Remote Controller

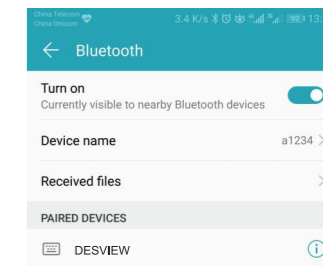


#### Controller Use Instruction

- power on: Keep press **ON**, until the lights on (about 2 seconds).
- power off: Keep press **ON**, until the lights off (about 5 seconds).

Notice: if power on without connecting anything, it will power off after 5 minutes; if the phone connected, it will power off after 12 minutes without any operation.

- Pairing Connection: The LED light on the controller will flashes after powered on, the remote controller will automatically enters the wireless pairing mode, search the controller name (Desview) on the prompting device and click connecting, after the connection is successfully, the LED light flashes intermittently.



**NOTICE:** Due to the compatibility issue, some of the smartphones' or tablet's functions have some differences.

5